



# Catalog 2014

*New Technology - New Prices*

## *NG-series*

Universal Camera Protective Frameworks and Accessories

[www.greycam.com](http://www.greycam.com)

GREYCAM® accessories catalog

Pricelist 2014

EURO





Item ID **N14.1**

### CR-M1 Hand Grip NG

This accessory is a good solution for low mode shooting and easy carrying of your camera/rig. Made with non-slip rubber grip.

#### SPECIFICATION

Dimension (L,H,W):	<b>86x37x80mm</b>
Rail Diameter:	<b>15mm</b>
Rail Distance:	<b>60mm</b>



List price:

**61.5 - EUR**

Minimum Order Quantity: **10 pcs**



Item ID **N12.1**

### CR-M2 Hand Grip NG

The **CR-M2 Hand Grip** is a durable and strong accessory for the DSLR or BlackMagic Design Camera rigs. You can move the entire system without displacement. Made with non-slip rubber grip.

#### SPECIFICATION

Dimension (L,H,W):	<b>150x120x60mm</b>
Plate Dimension (L,H,W):	<b>148x77mm</b>
Hole Diameter:	<b>6,2mm</b>
Rail Diameter:	<b>15mm</b>
Rail Distance:	<b>60mm</b>



List price:

**83.0 - EUR**

Minimum Order Quantity: **10 pcs**



Item ID **N11.1**

### CR-V1 Shoulder Mount NG

Universal shoulder mount with 15mm rod support system. Specially designed curved shape for the comfortable and effective work.

#### SPECIFICATION

Dimension (L,H,W):	<b>280x118x128mm</b>
Rail Diameter:	<b>15mm</b>
Rail Distance:	<b>60mm</b>



List price:

**109.0 - EUR**

Minimum Order Quantity: **10 pcs**



Item ID **P02.1**

### Weight Block

Weight block for better balance.



#### SPECIFICATION

Dimension (L,H,W):	<b>86x37x80mm</b>
Rail Diameter:	<b>15mm</b>
Rail Distance:	<b>60mm</b>

List price:

**24.0 - EUR**

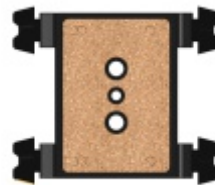
Minimum Order Quantity: **10 pcs**



Item ID **N24.1**

### BSW Tripod Plate NG

With the **BSW Tripod Plate** you can mount your RIG to tripods, stabilizers, etc. 1/4" and 3/8" withworth screw holes.



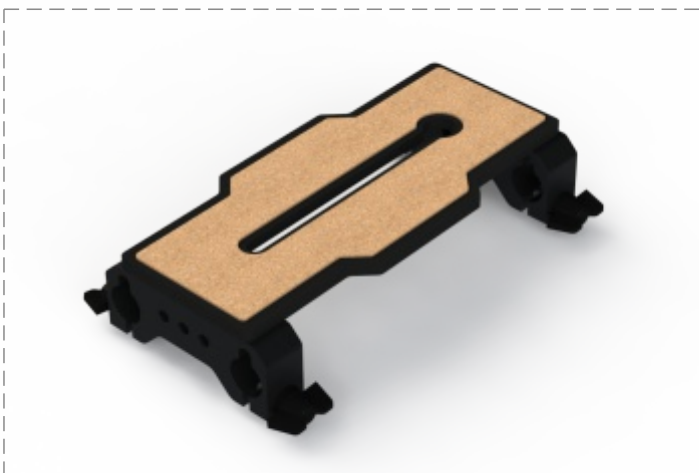
#### SPECIFICATION

Dimension (L,H,W):	<b>150x120x60mm</b>
Plate Dimension (L,H,W):	<b>148x77mm</b>
Hole Diameter:	<b>6,2mm</b>
Rail Diameter:	<b>15mm</b>
Rail Distance:	<b>60mm</b>

List price:

**76.0 - EUR**

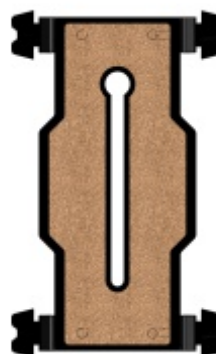
Minimum Order Quantity: **10 pcs**



Item ID **N10.1**

### CR-N Base Plate NG

Universal mounting unit for cameras and quick release plates. (e.g. Manfrotto 357/577, Libec, Cullmann, etc.)



#### SPECIFICATION

Dimension (L,H,W):	<b>280x118x128mm</b>
Rail Diameter:	<b>15mm</b>
Rail Distance:	<b>60mm</b>

List price:

**81.0 - EUR**

Minimum Order Quantity: **10 pcs**



Item ID **P30.1**

### BMD Pocket Frame

Protective frame for **BlackMagic Design Pocket Cinema Camera**. With rubber handle and non-slip cork layers. Included 2 pcs 1/4 camera screw.



#### SPECIFICATION

Dimension (L,H,W):	<b>86x37x80mm</b>
Rail Diameter:	<b>15mm</b>
Rail Distance:	<b>60mm</b>

List price:

**173.0 - EUR**

Minimum Order Quantity: **10 pcs**



Item ID **P20.3**

### BMD-B2 Frame

Protective frame for **BlackMagic Design Cinema Camera**. With a lot of 1/4" and 3/8" withworth screw holes.

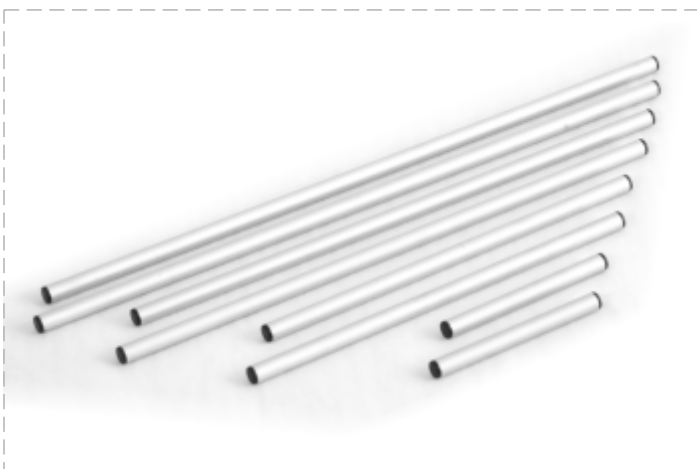
#### SPECIFICATION

Dimension (L,H,W):	<b>150x120x60mm</b>
Plate Dimension (L,H,W):	<b>148x77mm</b>
Hole Diameter:	<b>6,2mm</b>
Rail Diameter:	<b>15mm</b>
Rail Distance:	<b>60mm</b>

List price:

**260.0 - EUR**

Minimum Order Quantity: **10 pcs**



Item ID **P01.60 P01.50 P01.40 P01.15**

### CRP - Rod Pairs

Different types of rods. The products are designed for standard camera rod systems.

#### SPECIFICATION

Dimension:	600 mm
	500 mm
	400 mm
	150 mm

List price:

**38.0 - EUR**

**35.0 - EUR**

**33.0 - EUR**

**25.0 - EUR**

**BlackMagic Design KIT**

**BMD Series-1 NG**

Includes:

- **BMD-B2 Frame**
- **CR-M2 Hand Grip**
- **CR-M1 Hand Grip**
- **CR-V1 Shoulder Mount**
- **CRP-500 Rod Pair**
- **CRP-150 Rod Pair**
- **4x Weight Blocks**

**SPECIFICATION**

Rail Diameter: 15mm  
 Rail Distance: 60mm

List price:

**669.5 - EUR**



Item ID **K06.3**

for Blackmagicdesign

**BMD Series-5 NG**

Includes:

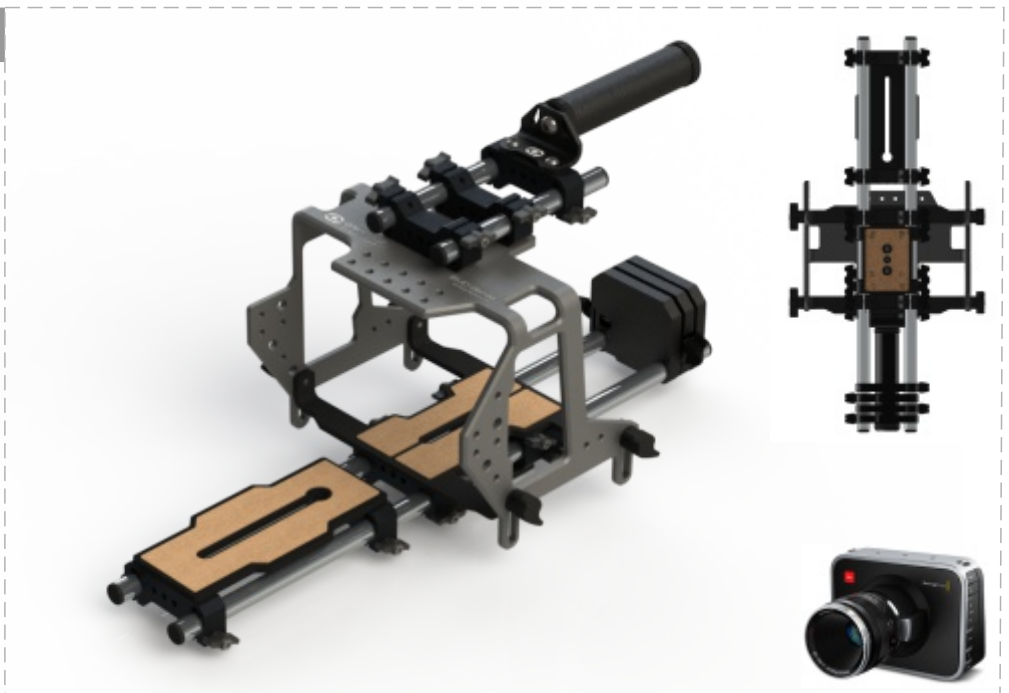
- **BMD-B2 Frame**
- **BSW Tripod Plate**
- **CR-M1 Hand Grip**
- **CRP-500 Rod Pair**
- **CR-N Base Plate**
- **3x Weight Blocks**

**SPECIFICATION**

Rail Diameter: 15mm  
 Rail Distance: 60mm

List price:

**585.5 - EUR**



Item ID **K10.2**

for Blackmagicdesign



**BlackMagic Design KIT**

**BMD-Pocket Series 1 NG**

Includes:

- **BMD Pocket Frame**
- **CR-M2 Hand Grip**
- **CR-V1 Shoulder Mount**
- **BSW Tripod Plate**
- **CRP-500 Rod Pair**
- **4x Weight Blocks**

**SPECIFICATION**

Rail Diameter: 15mm  
 Rail Distance: 60mm

List price:

**572.0 - EUR**

Item ID **K20.1**

for Blackmagicdesign



**BMD-Pocket Series 2 NG**

Includes:

- **BMD Pocket Frame**
- **BSW Tripod Plate**
- **CR-M2 Hand Grip**
- **CRP-400 Rod Pair**
- **2x Weight Blocks**

**SPECIFICATION**

Rail Diameter: 15mm  
 Rail Distance: 60mm

List price:

**413.0 - EUR**

Item ID **K21.1**

for Blackmagicdesign



## Adjustable Camera Plate

SmartPlate is a new and revolutionary plate for different type of tripod heads.

You just have to mount it to the camera and after you can use it with a wide range of tripods without changing the plate.

### SPECIFICATION

Dimension (L;W;H): 120x57x20mm  
 Distance between the side plates:  
 45,5mm (close) – 56,4mm (open)  
 Weight: 250g  
 Maximum weight of load: 7 kg

**94 EUR / 124 USD**

Item ID **P28.2**

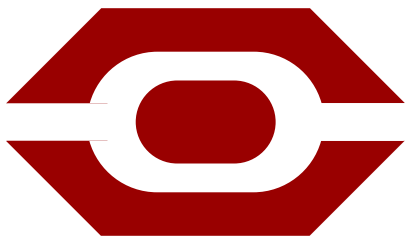
### Versatility:

The secret of the SmartPlate is its versatility and effectiveness. During film shootings the use of different tripods, RIGs, cranes, camera dollies and other equipments with non compatible quick release plates might cause many problems. The quick release plates have to be changed quite often which is uncomfortable and takes time. The SmartPlate provides an effective solution for these problems. You just have to mount it to the camera and use it during the entire shooting.



# SmartPlate





**GREYCAM<sup>®</sup>**  
**ACCESSORIES**