

## Blackmagic Pocket Cinema Camera 6K Pro



**\$2,535**

The Blackmagic Pocket Cinema Camera 6K Pro is an advanced technology, handheld 6K digital film camera with 6144 x 3456 Super 35 high resolution HDR sensor, dual native ISO, EF lens mount and direct recording to USB-C disks! This powerful model adds an adjustable HDR touchscreen, built in ND filters, and a larger battery for longer run time. You can even add an optional OLED viewfinder!

### Camera Features

#### Effective Sensor Size

23.10mm x 12.99mm (Super 35)

#### Lens Mount

Active EF mount.

#### Lens Control

Iris, focus and zoom on supported lenses.

#### Dynamic Range

13 Stops.

#### Dual Native ISO

400 and 3200

#### Shooting Resolutions

6144 x 3456 (6K) up to 50 fps

6144 x 2560 (6K 2.4:1) up to 60 fps

5744 x 3024 (5.7K 17:9) up to 60 fps

4096 x 2160 (4K DCI) up to 60 fps

3840 x 2160 (Ultra HD) up to 60 fps

3728 x 3104 (3.7K 6:5 anamorphic)

up to 60 fps

2868 x 1512 (2.8K 17:9) up to 120 fps

1920 x 1080 (HD) up to 120 fps

#### Frame Rates

Maximum sensor frame rate dependent on resolution and codec selected. Project frame rates of 23.98, 24, 25, 29.97, 30, 50, 59.94 and 60 fps supported.

Off-speed frame rates up to 60 fps in 6K 2.4:1, 120 fps in 2.8K 17:9 and 1080HD.

#### Built in ND Filters

Four position ND filter with clear, 2-stop, 4-stop and 6-stop IR ND filters.

#### Focus

Auto focus available using compatible lenses.

#### Iris Control

Iris wheel and touchscreen slider for manual iris adjustment on electronically controllable lenses, iris button for instant auto iris settings on compatible lenses.

#### Screen Dimensions

5" 1920 x 1080.

#### Screen Brightness

1500nits

#### Screen Type

LCD capacitive touchscreen.

#### Metadata Support

Automatically populated lens data from electronic EF lenses. Automatic recording of camera settings and slate data such as project, scene number, take and special notes. A 3D LUT can also be embedded in metadata of Blackmagic RAW files.

#### Controls

Touchscreen menus on 5 inch screen. 1 x Power Switch, 1 x Record Button, 1 x Stills Button, 1 x Scroll Wheel with push integrated into handgrip, 1 x ISO Button, 1 x White Balance, 1 x Shutter Button, 3 x software configurable Fn buttons, 2 x ND filter button, 1 x Focus Button, 1 x IRIS Button, 1 x High Frame Rate (HFR) Button, 1 x Zoom Button, 1 x Menu Button and 1 x Playback Button.

---

**Timecode Clock**

Highly accurate timecode clock.  
Less than 1 frame drift every 8 hours.

---

**Connections****Total Video Inputs**

None

**Total Video Outputs**

1 x HDMI up to 1080p60

**Analog Audio Inputs**

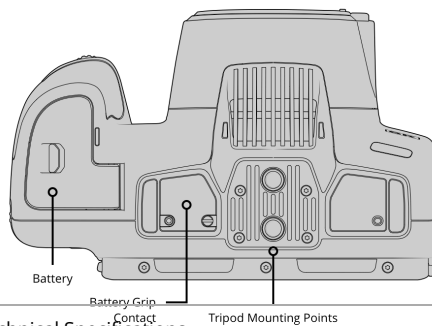
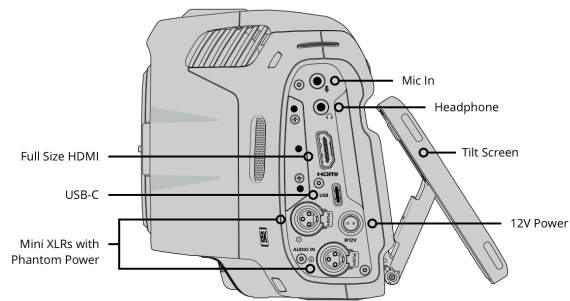
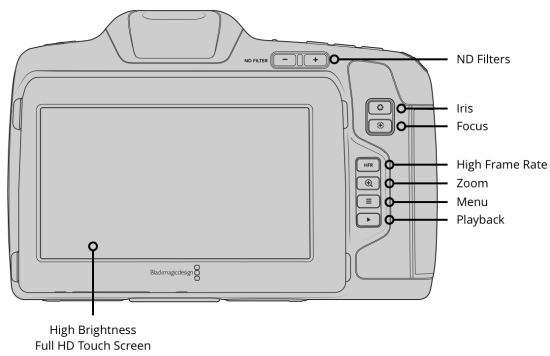
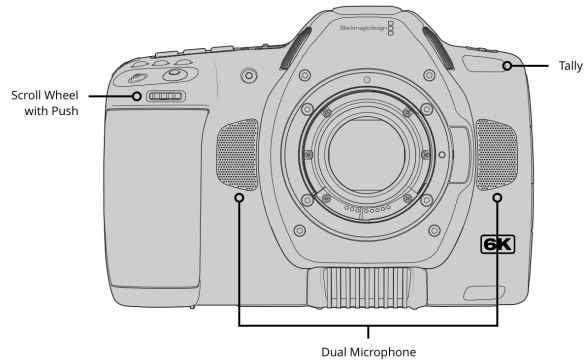
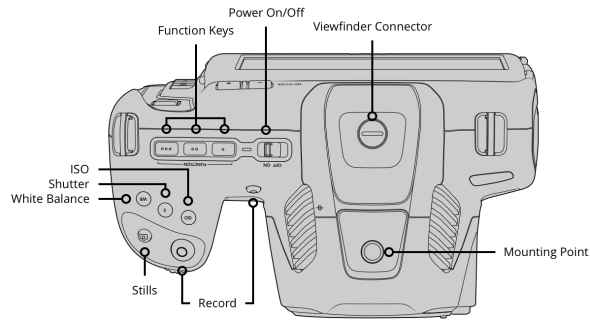
2 x mini XLR analog switchable  
between mic with phantom power  
support and line level (up to +14dBu).  
1 x 3.5mm Stereo Input.  
All audio inputs can also be used for  
Timecode input.

**Analog Audio Outputs**

1 x 3.5mm headphone jack.

**Computer Interface**

USB Type-C for external drive  
recording, PTP camera control and  
software updates.



---

## Audio

### Microphone

Integrated stereo microphone.

### Built in Speaker

1 x mono speaker.

---

## Standards

### SD Video Standards

None

### HD Video Standards

1080p23.98, 1080p24, 1080p25,  
1080p29.97, 1080p30, 1080p50,  
1080p59.94, 1080p60

### Ultra HD Video Standards

2160p23.98, 2160p24, 2160p25,  
2160p29.97, 2160p30, 2160p50,  
2160p59.94, 2160p60

### 4K DCI Standards

4Kp23.98 DCI, 4Kp24 DCI, 4Kp25 DCI,  
4Kp29.97 DCI, 4Kp30 DCI, 4Kp50 DCI,  
4Kp59.94 DCI, 4Kp60 DCI

---

## Media

### Media

1 x CFast card slot, 1 x SD UHS-II card slot, 1 x USB-C 3.1 Gen 1 expansion port for external media for Blackmagic RAW and ProRes Recording. Please refer to either the Manual or the Information Note at [www.blackmagicdesign.com/support](http://www.blackmagicdesign.com/support) for compatible media.

### Media Format

Can format media to ExFAT (Windows/Mac) or HFS+ (Mac) file systems.

---

## Supported Codecs

### Codecs

Blackmagic RAW Constant Bitrate 3:1,  
Blackmagic RAW Constant Bitrate 5:1,  
Blackmagic RAW Constant Bitrate 8:1,  
Blackmagic RAW Constant Bitrate 12:1,  
Blackmagic RAW Constant Quality Q0,  
Blackmagic RAW Constant Quality Q1,  
Blackmagic RAW Constant Quality Q3,  
Blackmagic RAW Constant Quality Q5,  
ProRes 422 HQ QuickTime,  
ProRes 422 QuickTime,  
ProRes 422 LT QuickTime,  
ProRes 422 Proxy QuickTime.

---

---

## Control

### **External Control**

Blackmagic Zoom Demand and Blackmagic Focus Demand for controlling your camera and lens from tripod handles.

iPad control, Bluetooth control, USB PTP camera control. External control of some camera settings, focus, iris and zoom with compatible lenses, color corrector, tally and internal record start and stop when used with a compatible ATEM and ATEM Software Control.

---

## Color Corrector

### **Color Corrector**

DaVinci YRGB.

---

## Storage Features

### **Storage Type**

1 x CFast 2.0.

1 x SD UHS-II card.

1 x high speed USB-C expansion port for external media.

### **Recording Formats**

Blackmagic RAW 3:1, 5:1, 8:1, 12:1, Q0, Q1, Q3 and Q5 at 6144 x 3456, 6144 x 2560, 5744 x 3024, 4096 x 2160, 3728 x 3104 and 2868 x 1512 with film, extended video, video dynamic range or custom 3D LUT embedded in metadata.

ProRes at 4096 x 2160, 3840 x 2160 and 1920 x 1080 with film, extended video or video dynamic range or custom 3D LUT.

### **Storage Rates**

Storage rates based on 30 frames per second.

6144 x 3456 (6K)	3840 x 2160 (Ultra HD)
Blackmagic RAW 3:1 - 323 MB/s	Apple ProRes 422 HQ - 110 MB/s
Blackmagic RAW 5:1 - 194 MB/s	Apple ProRes 422 - 73.6 MB/s
Blackmagic RAW 8:1 - 121 MB/s	Apple ProRes 422 LT - 51 MB/s
Blackmagic RAW 12:1 - 81 MB/s	Apple ProRes Proxy - 22.4 MB/s
Blackmagic RAW Q0 - 242 to 483 MB/s	3728 x 3104 (3.7K 6:5 anamorphic)
Blackmagic RAW Q1 - 162 to 387 MB/s	Blackmagic RAW 3:1 - 177 MB/s
Blackmagic RAW Q3 - 108 to 277 MB/s	Blackmagic RAW 5:1 - 106 MB/s
Blackmagic RAW Q5 - 65 to 162 MB/s	Blackmagic RAW 8:1 - 67 MB/s
6144 x 2560 (6K 2.4:1)	Blackmagic RAW 12:1 - 45 MB/s
Blackmagic RAW 3:1 - 240 MB/s	Blackmagic RAW Q0 - 133 to 265 MB/s
Blackmagic RAW 5:1 - 144 MB/s	Blackmagic RAW Q1 - 89 to 212 MB/s
Blackmagic RAW 8:1 - 90 MB/s	Blackmagic RAW Q3 - 60 to 152 MB/s
Blackmagic RAW 12:1 - 60 MB/s	Blackmagic RAW Q5 - 36 to 89 MB/s
Blackmagic RAW Q0 - 180 to 359 MB/s	2868 x 1512 (2.8K 17:9)
Blackmagic RAW Q1 - 120 to 287 MB/s	Blackmagic RAW 3:1 - 67 MB/s
Blackmagic RAW Q3 - 80 to 205 MB/s	Blackmagic RAW 5:1 - 41 MB/s
Blackmagic RAW Q5 - 49 to 120 MB/s	Blackmagic RAW 8:1 - 26 MB/s
5744 x 3024 (5.7K 17:9)	Blackmagic RAW 12:1 - 17 MB/s
Blackmagic RAW 3:1 - 264 MB/s	Blackmagic RAW Q0 - 51 to 101 MB/s
Blackmagic RAW 5:1 - 159 MB/s	Blackmagic RAW Q1 - 34 to 81 MB/s
Blackmagic RAW 8:1 - 100 MB/s	Blackmagic RAW Q3 - 23 to 58 MB/s
Blackmagic RAW 12:1 - 67 MB/s	Blackmagic RAW Q5 - 14 to 34 MB/s
Blackmagic RAW Q0 - 198 to 396 MB/s	1920 x 1080
Blackmagic RAW Q1 - 133 to 317 MB/s	Apple ProRes 422 HQ - 27.5 MB/s
Blackmagic RAW Q3 - 89 to 227 MB/s	Apple ProRes 422 - 18.4 MB/s
Blackmagic RAW Q5 - 54 to 133 MB/s	Apple ProRes 422 LT - 12.75 MB/s
4096 x 2160 (4K DCI)	Apple ProRes Proxy - 5.6 MB/s
Blackmagic RAW 3:1 - 136 MB/s	
Blackmagic RAW 5:1 - 82 MB/s	
Blackmagic RAW 8:1 - 51 MB/s	
Blackmagic RAW 12:1 - 35 MB/s	
Blackmagic RAW Q0 - 102 to 203 MB/s	
Blackmagic RAW Q1 - 68 to 163 MB/s	
Blackmagic RAW Q3 - 46 to 116 MB/s	
Blackmagic RAW Q5 - 28 to 68 MB/s	
Apple ProRes 422 HQ - 117.88 MB/s	
Apple ProRes 422 - 78.63 MB/s	
Apple ProRes 422 LT - 54.63 MB/s	
Apple ProRes Proxy - 24.25 MB/s	

Constant Quality storage rates quoted are indicative only.

Actual storage rates are entirely dependent on image subject matter.

---

## Software

### Software Included

Blackmagic OS  
DaVinci Resolve Studio for Mac and Windows including activation key  
Blackmagic Camera Setup  
Blackmagic RAW Player  
Blackmagic RAW QuickLook Plugin  
Blackmagic RAW SDK  
Blackmagic RAW Speed Test

---

## Operating Systems



Mac 10.15 Catalina,  
Mac 11.1 Big Sur or later.



Windows 10 and 11.

---

## Power Requirements

### Power Supply

1 x External 12V power supply.

### Battery Type

NP-F570

### Power

12V-20V.

### External Power Input

1 x 2-pin locking connector.

### Battery Life

Approximately 60 minutes  
(recording 6K RAW at 24 fps to CFast  
2.0 with screen brightness at 50%)

---

## Accessories

### Optional Accessories

Blackmagic Pocket Cinema Camera Pro EVF  
Blackmagic Pocket Camera Battery Pro Grip

---

## Physical Specifications



---

## Environmental Specifications

### Operating Temperature

0° to 40°C (32° to 104°F)

### Storage Temperature

-20° to 45°C (-4° to 113°F)

### Relative Humidity

0% to 90% non-condensing

---

## What's Included

Blackmagic Pocket Cinema Camera 6K Pro  
Lens turret dust cap  
Camera strap  
30W power supply with locking connector and international adapters  
NP-F570 battery  
NP-F series battery USB charger  
Welcome booklet  
DaVinci Resolve Studio activation key

---

## Warranty

### Product Warranty

12 Month Limited Manufacturer's Warranty.



All items on this website are copyright Blackmagic Design Pty. Ltd. 2022, all rights reserved. All trademarks are property of their respective owners. MSRP includes duties, but excludes sales tax and shipping costs. This website uses remarketing services to advertise on third party websites to previous visitors to our site. You can opt out at any time by changing cookie settings. [Privacy Policy](#)

Blackmagic Design Authorized Reseller